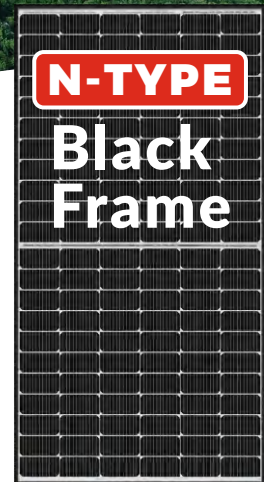


LUXPOWER® SERIES **N**5



520-540W Mono
132 Half-Cell Layout
M10 N-TYPE Cell



LECO N-TYPE Cell Technology



Half Cut Cell Technology



SMBB Technology



Excellent Anti-PID Low LID Performance

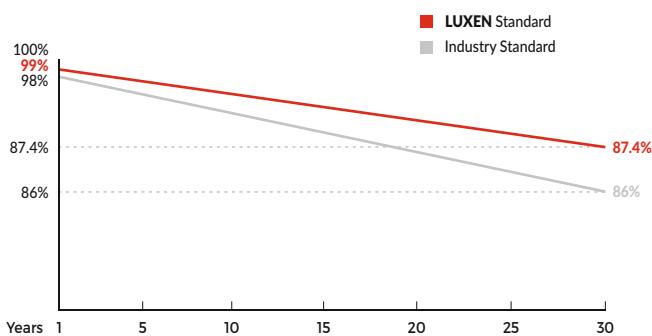


Less Hot Spot Shading Effects



Higher Power Output Lower BOS & LCOE

Linear Performance Warranty



* LUXEN N-TYPE: Standard warranty 15 years, can be extended up to 20 years.

Insured By



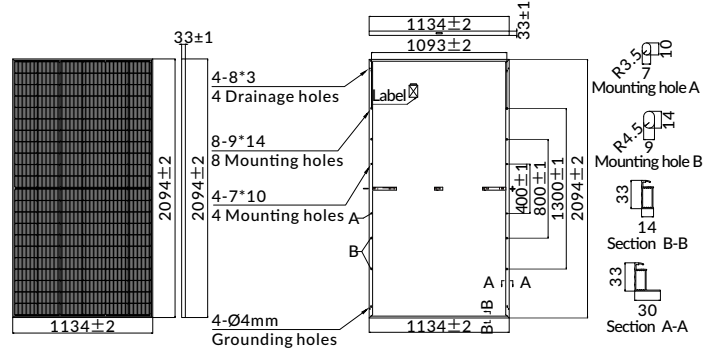
Comprehensive Certificates

- ISO9001:2015 QMS
- ISO14001:2015 EMS
- ISO45001:2018 OHSMS
- IEC61215/IEC61730 Standard Quality
- IEC61701/IEC62716 Salt/Mist/Ammonia Tests



MECHANICAL CHARACTERISTICS

Solar Cells	N-type Mono
No. of Cells	132 (6x22)
Dimensions	2094 x 1134 x 33mm
Weight	25.3kg
Front Glass	3.2mm coated tempered glass
Frame	Anodized aluminium alloy (reinforced high-load optional)
Junction Box	Ip68 rated (3 by pass diodes)
Output Cables	4.0mm ² 250mm (+) / 350mm (-) Length can be customized
Connectors	Mc4 compatible
Mechanical load test	Front 5400Pa / Rear 2400Pa



ELECTRICAL PARAMETERS

POWER CLASS	LNVT-520N		LNVT-525N		LNVT-530N		LNVT-535N		LNVT-540N	
	STC	NMOT	STC	NMOT	STC	NMOT	STC	NMOT	STC	NMOT
Maximum power (Pmax)	520W	391W	525W	395W	530W	399W	535W	403W	540W	407W
Open Circuit Voltage (Voc)	47.03V	44.74V	47.22V	44.90V	47.41V	45.05V	47.60V	45.21V	47.78V	45.36V
Short Circuit Current (Isc)	14.14A	11.40A	14.21A	11.46A	14.28A	11.52A	14.35A	11.58A	14.42A	11.64A
Voltage at Maximum power (Vmpp)	39.36V	36.27V	39.53V	36.44V	39.70V	36.61V	39.87V	36.77V	40.03V	36.93V
Current Maximum Power (Impp)	13.21A	10.78A	13.28A	10.84A	13.35A	10.90A	13.42A	10.96A	13.49A	11.02A
MODULE EFFICIENCY (%)	21.90%		22.11%		22.32%		22.53%		22.74%	

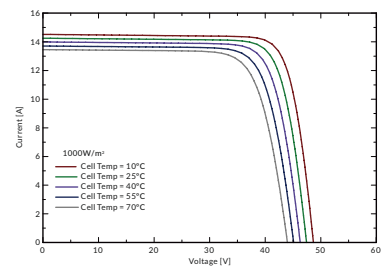
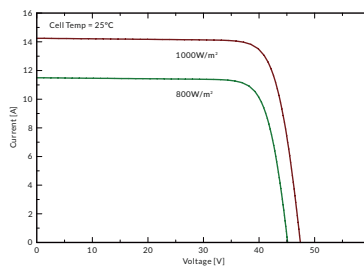
STC: Irradiance 1000W/m², cell temperature 25°C, AM1.5G NMOT: Irradiance 800W/m², ambient temperature 20°C, wind speed 1m/s, AM1.5G

PACKING CONFIGURATION

Container	40'HQ
Pieces per pallet	34
Pallets per container	22
Pieces per container	748

I-V CURVE

LNVT-530N/I-V



OPERATING CHARACTERISTICS

Operating Module Temperature	-40°C to +85°C
Maximum System Voltage	1500 DC (IEC)
Maximum Series Fuse Rating	25A
Power Tolerance	0/+5W

TEMPERATURE CHARACTERISTICS

Nominal Operating Temperature (NMOT)	45±2°C
Temperature Coefficient of Pmax	-0.29%/°C
Temperature Coefficient of Voc	-0.25%/°C
Temperature Coefficient of Isc	+0.045%/°C

Note: The technical parameters included in this datasheet may have minor deviations, and Luxen does not guarantee absolute accuracy. Due to ongoing product innovation and enhancements, Luxen reserves the right to modify the information in this manual at any time without prior notice. Customers should obtain the latest version of the technical manual when signing the contract, and it shall be considered an integral part of the binding contract between the parties. Please note that qualified professionals should handle and install solar modules to ensure optimal module performance.