

LUXNERI® SERIES **N**5

520-540W Mono

132 Half-Cell Layout
 FULL BLACK BIFACIAL DG
 M10 N-TYPE Cell



LECO N-TYPE Cell Technology



SMBB Half Cut Cell Technology



Bifacial Cell Module Technologies



Excellent Anti-PID Low LID Performance

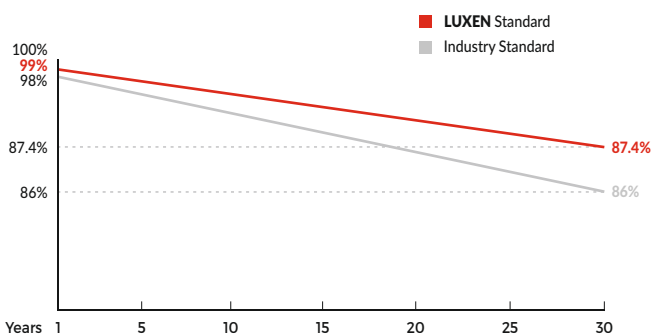


Less Hot Spot Shading Effects



Higher Power Output Lower BOS & LCOE

Linear Performance Warranty



* LUXEN N-TYPE: Standard warranty 15 years, can be extended up to 20 years.

Insured By



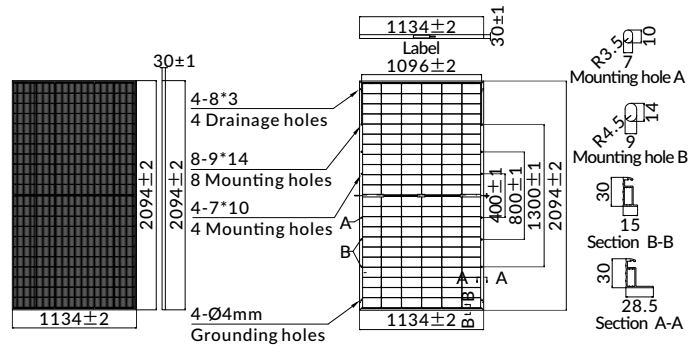
Comprehensive Certificates

- ISO9001:2015 QMS
- ISO14001:2015 EMS
- ISO45001:2018 OHSMS
- IEC61215/IEC61730 Standard Quality
- IEC61701/IEC62716 Salt/Mist/Ammonia Tests



MECHANICAL CHARACTERISTICS

Solar Cells	N-type Mono
No. of Cells	132 (6x22)
Dimensions	2094 x 1134 x 30mm
Weight	28.5kg
Front / Back Glass	2.0mm coated semi-tempered glass
Frame	Anodized aluminium alloy (reinforced high-load optional)
Junction Box	Ip68 rated (3 by pass diodes)
	4.0mm ²
Output Cables	250mm (+) / 350mm (-)
	Length can be customized
Connectors	Mc4 compatible
Mechanical load test	Front 5400Pa / Rear 2400Pa



ELECTRICAL PARAMETERS

POWER CLASS	LNVT-520ND		LNVT-525ND		LNVT-530ND		LNVT-535ND		LNVT-540ND	
	STC	NMOT	STC	NMOT	STC	NMOT	STC	NMOT	STC	NMOT
Maximum power (Pmax)	520W	391W	525W	395W	530W	399W	535W	403W	540W	407W
Open Circuit Voltage (Voc)	47.08V	44.58V	47.24V	44.75V	47.41V	44.91V	47.56V	45.08V	47.72V	45.24V
Short Circuit Current (Isc)	14.12A	11.38A	14.19A	11.44A	14.26A	11.50A	14.33A	11.56A	14.40A	11.62A
Voltage at Maximum power (Vmpp)	38.78V	35.97V	38.95V	36.14V	39.11V	36.31V	39.28V	36.47V	39.44V	36.63V
Current Maximum Power (Impp)	13.41A	10.87A	13.48A	10.93A	13.55A	10.99A	13.62A	11.05A	13.69A	11.11A
MODULE EFFICIENCY (%)	21.90%		22.11%		22.32%		22.53%		22.74%	

STC: Irradiance 1000W/m², cell temperature 25°C, AM1.5G NMOT: Irradiance 800W/m², ambient temperature 20°C, wind speed 1m/s, AM1.5G

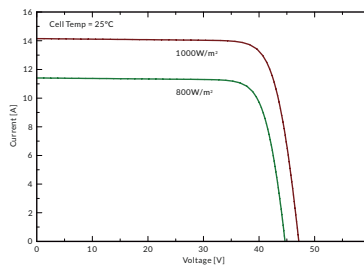
BIFACIAL OUTPUT-REARSIDE POWER GAIN

		LNVT-520ND		LNVT-525ND		LNVT-530ND		LNVT-535ND		LNVT-540ND	
		STC	NMOT	STC	NMOT	STC	NMOT	STC	NMOT	STC	NMOT
5%	Maximum power (Pmax)	546W		551W		557W		562W		567W	
	Module Efficiency STC (%)	22.99%		23.21%		23.44%		23.66%		23.88%	
15%	Maximum power (Pmax)	598W		604W		610W		615W		621W	
	Module Efficiency STC (%)	25.18%		25.43%		25.67%		25.91%		26.15%	
25%	Maximum Power (Pmax)	650W		656W		663W		669W		675W	
	Module Efficiency STC (%)	27.37%		27.64%		27.90%		28.16%		28.43%	

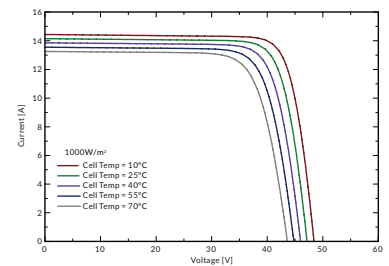
PACKING CONFIGURATION

Container	20'GP	40'HQ
Pieces per pallet	36	36
Pallets per container	5	22
Pieces per container	180	792

I-V CURVE



LNVT-525ND/I-V



OPERATING CHARACTERISTICS

Operating Module Temperature	-40°C to +85°C
Maximum System Voltage	1500 DC (IEC)
Maximum Series Fuse Rating	30A
Power Tolerance	0/+5W

TEMPERATURE CHARACTERISTICS

Nominal Operating Temperature (NMOT)	45±2°C
Temperature Coefficient of Pmax	-0.29%/°C
Temperature Coefficient of Voc	-0.25%/°C
Temperature Coefficient of Isc	+0.045%/°C

Note: The technical parameters included in this datasheet may have minor deviations, and Luxen does not guarantee absolute accuracy. Due to ongoing product innovation and enhancements, Luxen reserves the right to modify the information in this manual at any time without prior notice. Customers should obtain the latest version of the technical manual when signing the contract, and it shall be considered an integral part of the binding contract between the parties. Please note that qualified professionals should handle and install solar modules to ensure optimal module performance.