

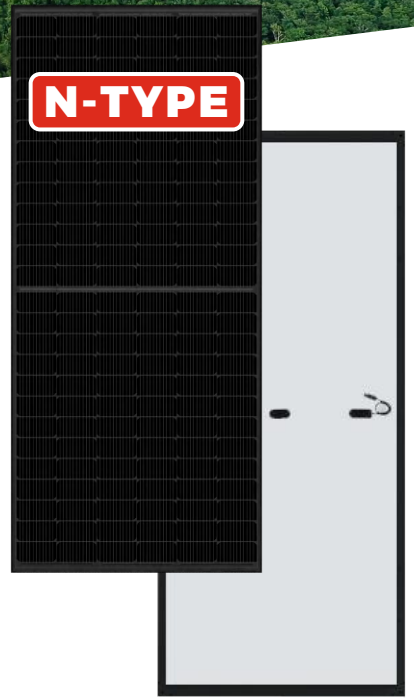
LUXNERI® SERIES **N**5

620-640W Mono

156 Half-Cell Layout

M10 N-TYPE Cell

FULL BLACK (White Backsheet)



Power Output increase by 1.5~2%
(Compared to Black Backsheet Modules)



Lower BOS & LCOE
(Compared to Black Backsheet Modules)



LECO N-TYPE
Cell Technology



SMBB Half Cut
Cell Technology

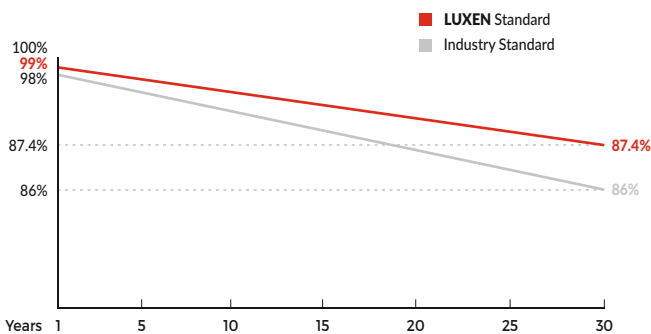


Excellent
Anti-PID
Low LID
Performance



Less Hot Spot
Shading Effects

Linear Performance Warranty



* LUXEN N-TYPE: Standard warranty 15 years, can be extended up to 20 years.

Insured By



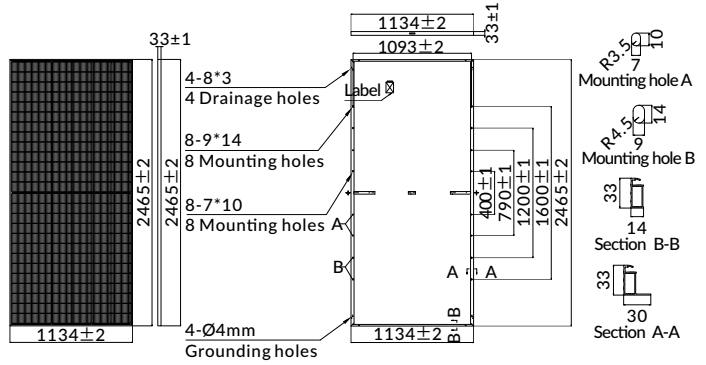
Comprehensive Certificates

- ISO9001:2015 QMS
- ISO14001:2015 EMS
- ISO45001:2018 OHSMS
- IEC61215/IEC61730 Standard Quality
- IEC61701/IEC62716 Salt/Mist/Ammonia Tests



MECHANICAL CHARACTERISTICS

Solar Cells	N-type Mono
No. of Cells	156 (6x26)
Dimensions	2465 x 1134 x 33mm
Weight	29.8kg
Front Glass	3.2mm coated tempered glass
Frame	Anodized aluminium alloy (reinforced high-load optional)
Junction Box	Ip68 rated (3 by pass diodes)
Output Cables	4.0mm ² 250mm (+) / 350mm (-) Length can be customized
Connectors	Mc4 compatible
Mechanical load test	Front 5400Pa / Rear 2400Pa



ELECTRICAL PARAMETERS

POWER CLASS	LNVH-620N		LNVH-625N		LNVH-630N		LNVH-635N		LNVH-640N	
	STC	NMOT	STC	NMOT	STC	NMOT	STC	NMOT	STC	NMOT
Maximum power (Pmax)	620W	467W	625W	471W	630W	475W	635W	479W	640W	483W
Open Circuit Voltage (Voc)	55.37V	52.82V	55.56V	52.98V	55.74V	53.13V	55.92V	53.29V	56.04V	53.44V
Short Circuit Current (Isc)	14.34A	11.53A	14.40A	11.59A	14.46A	11.65A	14.52A	11.71A	14.60A	11.77A
Voltage at Maximum power (Vmpp)	45.86V	42.61V	46.02V	42.74V	46.19V	42.87V	46.35V	43.00V	46.51V	43.13V
Current Maximum Power (Impp)	13.52A	10.96A	13.58A	11.02A	13.64A	11.08A	13.70A	11.14A	13.76A	11.20A
MODULE EFFICIENCY (%)	22.18%		22.36%		22.54%		22.72%		22.90%	

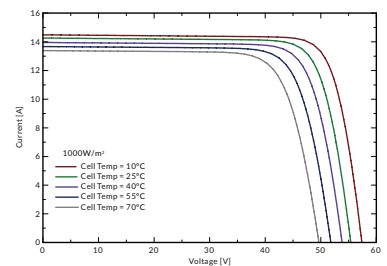
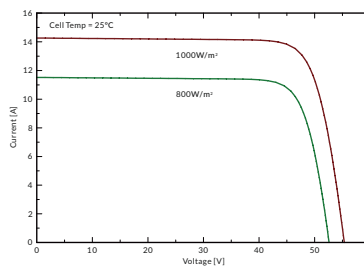
STC: Irradiance 1000W/m², cell temperature 25°C, AM1.5G NMOT: Irradiance 800W/m², ambient temperature 20°C, wind speed 1m/s, AM1.5G

PACKING CONFIGURATION

Container	40'HQ
Pieces per pallet	34
Pallets per container	16
Pieces per container	544

I-V CURVE

LNVH-620N/I-V



OPERATING CHARACTERISTICS

Operating Module Temperature	-40°C to +85°C
Maximum System Voltage	1500 DC (IEC)
Maximum Series Fuse Rating	25A
Power Tolerance	0/+5W

TEMPERATURE CHARACTERISTICS

Nominal Operating Temperature (NMOT)	45±2°C
Temperature Coefficient of Pmax	-0.29%/°C
Temperature Coefficient of Voc	-0.25%/°C
Temperature Coefficient of Isc	+0.045%/°C

Note: The technical parameters included in this datasheet may have minor deviations, and Luxen does not guarantee absolute accuracy. Due to ongoing product innovation and enhancements, Luxen reserves the right to modify the information in this manual at any time without prior notice. Customers should obtain the latest version of the technical manual when signing the contract, and it shall be considered an integral part of the binding contract between the parties. Please note that qualified professionals should handle and install solar modules to ensure optimal module performance.