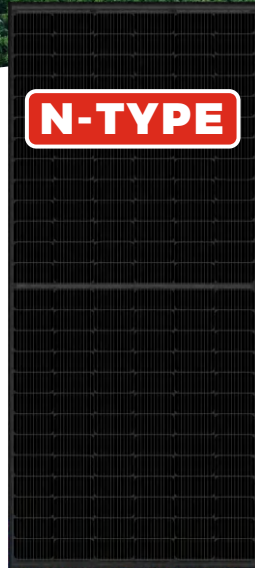


LUXNERI® SERIES **N5**

620-640W Mono

156 Half-Cell Layout
 FULL BLACK BIFACIAL DG
 M10 N-TYPE Cell



LECO N-TYPE Cell Technology



Full Black Appearance for Aesthetic Effect



SMBB Half Cut Cell Technology



Excellent Anti-PID Low LID Performance

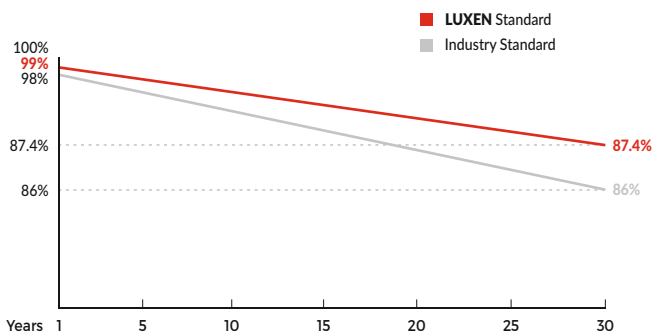


Less Hot Spot Shading Effects



Higher Power Output Lower BOS & LCOE

Linear Performance Warranty



* LUXEN N-TYPE: Standard warranty 15 years, can be extended up to 20 years.

Insured By



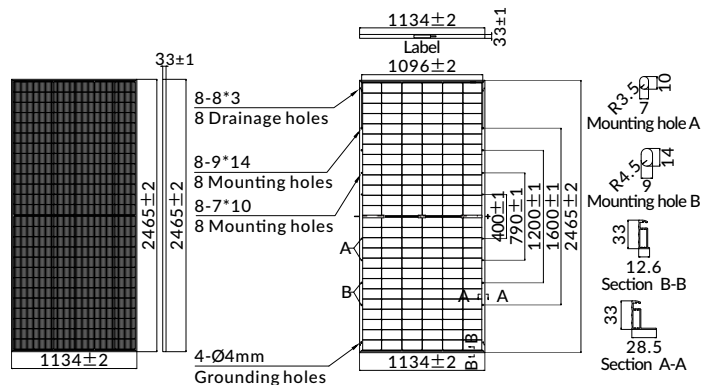
Comprehensive Certificates

- ISO9001:2015 QMS
- ISO14001:2015 EMS
- ISO45001:2018 OHSMS
- IEC61215/IEC61730 Standard Quality
- IEC61701/IEC62716 Salt/Mist/Ammonia Tests



MECHANICAL CHARACTERISTICS

Solar Cells	N-type Mono
No. of Cells	156 (6x26)
Dimensions	2465 x 1134 x 33mm
Weight	34.8kg
Front / Back Glass	2.0mm coated semi-tempered glass
Frame	Anodized aluminium alloy (reinforced high-load optional)
Junction Box	Ip68 rated (3 by pass diodes)
Output Cables	4.0mm ² 250mm (+) / 350mm (-) Length can be customized
Connectors	Mc4 compatible
Mechanical load test	Front 5400Pa / Rear 2400Pa



ELECTRICAL PARAMETERS

POWER CLASS	LNVH-620ND		LNVH-625ND		LNVH-630ND		LNVH-635ND		LNVH-640ND	
	STC	NMOT	STC	NMOT	STC	NMOT	STC	NMOT	STC	NMOT
Maximum power (Pmax)	620W	467W	625W	471W	630W	475W	635W	479W	640W	483W
Open Circuit Voltage (Voc)	55.64V	52.67V	55.75V	52.78V	55.87V	52.89V	55.98V	52.99V	56.09V	53.10V
Short Circuit Current (Isc)	14.18A	11.44A	14.25A	11.50A	14.32A	11.56A	14.39A	11.62A	14.46A	11.68A
Voltage at Maximum power (Vmpp)	46.03V	42.73V	46.16V	42.86V	46.29V	42.99V	46.42V	43.11V	46.55V	43.24V
Current Maximum Power (Impp)	13.47A	10.93A	13.54A	10.99A	13.61A	11.05A	13.68A	11.11A	13.75A	11.17A
MODULE EFFICIENCY (%)	22.18%		22.36%		22.54%		22.72%		22.90%	

STC: Irradiance 1000W/m², cell temperature 25°C, AM1.5G NMOT: Irradiance 800W/m², ambient temperature 20°C, wind speed 1m/s, AM1.5G

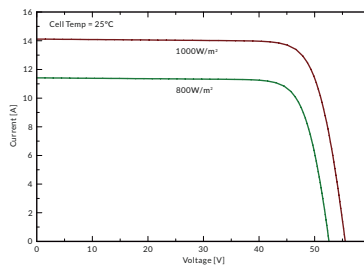
BIFACIAL OUTPUT-REAR SIDE POWER GAIN

		LNVH-620ND		LNVH-625ND		LNVH-630ND		LNVH-635ND		LNVH-640ND	
		STC	NMOT	STC	NMOT	STC	NMOT	STC	NMOT	STC	NMOT
5%	Maximum power (Pmax)	651W		656W		662W		667W		672W	
	Module Efficiency STC (%)	23.29%		23.48%		23.66%		23.85%		24.04%	
15%	Maximum power (Pmax)	713W		719W		725W		730W		736W	
	Module Efficiency STC (%)	25.51%		25.71%		25.92%		26.12%		26.33%	
25%	Maximum Power (Pmax)	775W		781W		788W		794W		800W	
	Module Efficiency STC (%)	27.73%		27.95%		28.17%		28.40%		28.62%	

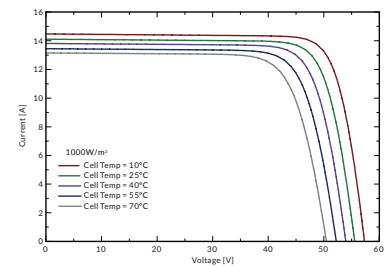
PACKING CONFIGURATION

Container	40'HQ
Pieces per pallet	34
Pallets per container	16
Pieces per container	544

I-V CURVE



LNVH-620ND/I-V



OPERATING CHARACTERISTICS

Operating Module Temperature	-40°C to +85°C
Maximum System Voltage	1500 DC (IEC)
Maximum Series Fuse Rating	30A
Power Tolerance	0/+5W

TEMPERATURE CHARACTERISTICS

Nominal Operating Temperature (NMOT)	45±2°C
Temperature Coefficient of Pmax	-0.29%/°C
Temperature Coefficient of Voc	-0.25%/°C
Temperature Coefficient of Isc	+0.045%/°C

Note: The technical parameters included in this datasheet may have minor deviations, and Luxen does not guarantee absolute accuracy. Due to ongoing product innovation and enhancements, Luxen reserves the right to modify the information in this manual at any time without prior notice. Customers should obtain the latest version of the technical manual when signing the contract, and it shall be considered an integral part of the binding contract between the parties. Please note that qualified professionals should handle and install solar modules to ensure optimal module performance.